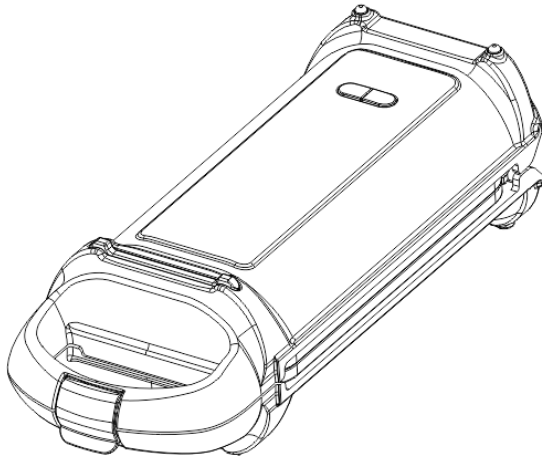




Contact Grill (Churros Maker)

FS-768

User Manual




**PLEASE READ AND SAVE THESE
INSTRUCTIONS FOR FUTURE REFERENCE**

IMPORTANT SAFETY INSTRUCTIONS

Read and understand all instructions before using this product and follow all warnings and cautions as stated below.

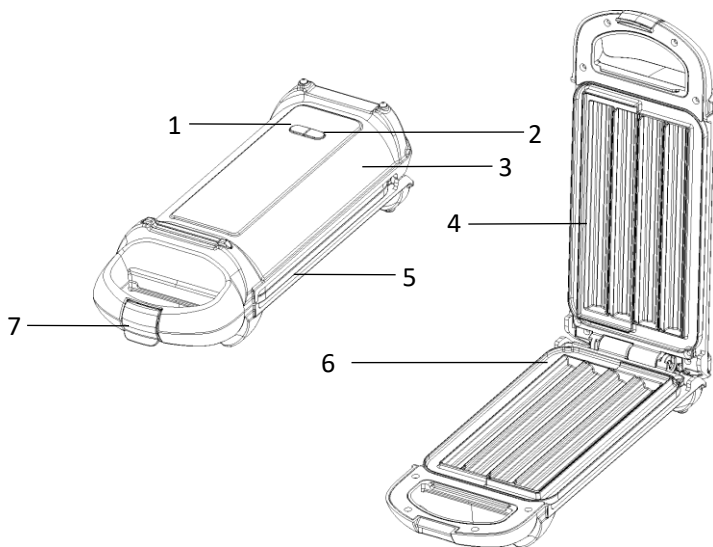
- ◆ Unplug from an electrical power outlet when not in use and before cleaning. Allow the appliance to cool down before cleaning.
- ◆ To protect against risk of electrical hazards, do not immerse the appliance, power cord or plug in water or any other liquids.
- ◆ If the supply cord is damaged, it must be replaced by a qualified electrician in order to avoid a hazard, or the product must be disposed.
- ◆ Place the cord in such a way that pulling or tripping over it is not possible.
- ◆ Always place and operate the appliance on a flat, solid, clean, dry and heat-resistance surface.
- ◆ The power socket must be readily accessible so that the appliance can be unplugged in an emergency.
- ◆ This appliance is intended to be used indoors in household and similar applications such as: staff kitchen areas in shops, offices and other working environments, farm houses, by clients in hotels, motels and other residential type environments, bed and breakfast type environments.
- ◆ The appliance is intended for household use only. Do not use outdoors or for commercial purpose. Any other use will void the warranty.
- ◆ This appliance is not intended for use by persons (including children) with reduced physical, sensory or mental capabilities, or lack of experience and knowledge, unless they have been given supervision or instructions concerning use of the appliance by a person responsible for their safety.
- ◆ Children should be supervised to ensure that they do not play with the appliance.

- ◆ Always unplug from the mains power supply when not in use and before cleaning.
- ◆ Do not operate the appliance if damaged or after the appliance malfunctions.
- ◆ Do not touch hot surfaces. Only use the handle.
- ◆ Do not place on or near a hot gas or electric burner, or in a heater oven.
- ◆ Do not use an extension cord with this appliance.
- ◆ Do not dismantle and repair the appliance by yourself. **DANGER OF AN ELECTRIC SHOCK!**
- ◆ Do not allow this appliance to touch curtains, wall coverings, clothing, dish towels or other flammable materials during use.
- ◆ **Do not leave the appliance unattended when in use or when connected to mains power.**
- ◆ Do not operate your appliance inside cabinet or under a wall cabinet. When storing in a cabinet, always unplug the unit from mains power.
- ◆ The temperature of accessible surfaces may be high when the appliance is operating.
- ◆ This appliance is not intended to be operated by means of an external timer or separate remote-control system.
- ◆ Use only heat-proof synthetic or wooden utensils when taking churros out in order not to damage the non-stick coating of the heating plates. Make sure that the utensils are not pointed or have sharp edges.
- ◆  **Caution, hot surface. Care must be taken. The surfaces are liable to get hot during use.**
- ◆ For cleaning cooking surface, please refer to section “Cleaning and Maintenance”.

SAVE THESE INSTRUCTIONS

KNOW YOUR CHURROS MAKER

FOR HOUSEHOLD USE ONLY



1. Red power indicator

2. Green working indicator

3. Upper housing

4. Upper baking plate

5. Bottom housing

6. Bottom baking plate

7. Lock clip

BEFORE FIRST USE

- ◆ Unpack the appliance and check if all parts are there and undamaged. In case of shipping damage or incomplete package, return the product to Kmart.
- ◆ Place the appliance on a flat stable surface and ensure a minimum of 10cm free space around the appliance. Do not operate your appliance inside a cabinet or under a wall cabinet.
- ◆ Plug the appliance into an electrical outlet.

Note: Make sure the voltage which is indicated on the appliance matches the mains power voltage shown on the product rating label before connecting the appliance to mains power. Rated voltage: 220-240V a.c. 50-60Hz.

- ◆ When using your Churros Maker for the first time, heat up for several minutes, this will burn off any manufacturing residue. Slight odour and smoke could develop, this is normal and should disappear after few minutes of use. Ensure good ventilation during this process.

OPERATION

1. Use a pastry brush to lightly grease coat the non-stick coating of the baking plates with oil or butter.

2. Close the device and plug it into the wall outlet. Both red power indicator and green working indicator will light up, indicating that the churros maker is connected to the mains power and begins preheating. The red power indicator will remain on until you unplug the appliance.
3. It will take approximate 3 minutes to reach the recommended baking temperature. The green working indicator will go off, and the churros maker is ready for use.
4. Fill each molds of the bottom baking plate with batter. Make sure the batter is spread evenly in the molds.
5. Gently close the lid and ensure to lock the appliance with a click sound. Do not slam the lid down, as it may cause the mixture to come off the molds.
6. The appliance is designed to flip over, this enable you to spread the batter more evenly.
7. The green working indicator will light up again when another baking cycle starts. The actual baking time varies depending on the type of batter you use. A general guideline is around 3 minutes of baking time.
8. If you prefer a darker churros, close the lid again and continue baking until desired color is achieved.

Note: Do not open the churros maker for at least 1 to 2 minutes after filling in the batter. Opening the lid too soon will cause splitting of the under-baked churros, it will make them difficult to remove.

9. To remove the Churros, always use a plastic or wooden spatula. Never use a sharp or metal object, as this will damage the non-stick coating or the baking plate.
10. After using the churros maker, disconnect the power plug from the mains power outlet socket.

TIPS: Fill each mold with batter by using a jug, spoon or piping bag. A piping bag is very practical for filling the molds.

CAUTION: DO NOT leave the unit unattended during use or whilst connected to mains power.

CLEANING & MAINTENANCE

This appliance should be cleaned after each use.

ATTENTION: Unplug from mains power and allow the appliance to cool down completely before cleaning.

CAUTION: Never immerse the Churros maker in water or in a dishwasher!

- ◆ Disconnect the appliance from mains power outlet socket and allow it to cool down with two halves open.
- ◆ Clean the baking plates with a damp cloth or soft brush. Do not use anything abrasive that can scratch or damage the non-stick coating.
- ◆ Wipe the outside of the churros maker with a damp cloth only. Do not clean the outside with any abrasive scouring pad or steel wool, as this will damage the exterior coating.

STORAGE

1. Unplug the Churros Maker from mains power.
2. Allow the appliance to cool down completely.
3. Do not wrap the power cord around the appliance.

4. Store the appliance in a dry location and out of the reach of children.

SUGGESTED RECIPE

INGREDIENTS

250g	self raising flour
20g	caster sugar
475ml	milk
2	eggs
25g	soft butter
1pinch	salt
½teaspoon	vanilla essence

DIRECTIONS

Beat the eggs in a mixer until well mixed. Add remaining ingredients and mix until smooth. Leave the mixture for half an hour.

Preheat churros maker. Use a pastry brush to lightly grease coat the non-stick coating of the baking plates with oil or butter. Pour mixture into churros maker. Cook until golden brown.

TECHNICAL SPECIFICATIONS

Voltage: 220-240Va.c. 50-60Hz

Power: 750W

12 MONTH WARRANTY

Thank you for your purchase from Kmart.

Kmart Australia Ltd warrants your new product to be free from defects in materials and workmanship for the period stated above, from the date of purchase, provided that the product is used in accordance with accompanying recommendations or instructions where provided. This warranty is in addition to your rights under the Australian Consumer Law.

Kmart will provide you with your choice of a refund, repair or exchange (where possible) for this product if it becomes defective within the warranty period. Kmart will bear the reasonable expense of claiming the warranty. This warranty will no longer apply where the defect is a result of alteration, accident, misuse, abuse or neglect.

Please retain your receipt as proof of purchase and contact our Customer Service Centre on 1800 124 125 (Australia) or 0800 945 995 (New Zealand) or alternatively, via Customer Help at Kmart.com.au for any difficulties with your product. Warranty claims and claims for expense incurred in returning this product can be addressed to our Customer Service Centre at 690 Springvale Rd, Mulgrave Vic 3170.

Our goods come with guarantees that cannot be excluded under the Australian Consumer Law. You are entitled to a replacement or refund for a major failure and compensation for any other reasonably foreseeable loss or damage. You are

also entitled to have the goods repaired or replaced if the goods fail to be of acceptable quality and the failure does not amount to a major failure.

For New Zealand customers, this warranty is in addition to statutory rights observed under New Zealand legislation.